

# POWERSCREEN®

## CT-80

TRACKED CONVEYOR



TECHNICAL SPECIFICATION - REV 0. 01/12/2019





## CT-80 TRACKED CONVEYOR



# OVERVIEW

### SPECIFICATION

<b>Total Weight</b>	16,750kg (36,927bs)
<b>Transport</b>	<b>Length</b> 11.88m (38' 11")
	<b>Height</b> 2.88m (9' 5")
	<b>Width</b> 2.25m (7' 4")
<b>Working @ 24°</b>	<b>Length</b> 21.4m (70' 3")
	<b>Height</b> 10.23m (33' 7")
	<b>Width</b> 2.25m (7' 4")
<b>Power Unit</b>	Tier 3: Deutz D2011 L04l 36.4kW (48hp) or, Tier 4F: Deutz TD 2.9 L04 45kW (60hp) or, Stage IV: Deutz TC 2.9 L4 55kW (73hp)
<b>Plant Colour</b>	Blue RAL 5021, Grey RAL 7024, Black RAL 9005

NOTE: Dimensions may differ slightly from sales drawings due to differences in angles / reference points.

### FEATURES & BENEFITS

- High capacity up to 500tph (551 US tph).
- Maximum feed size up to 150mm (6").
- Eliminates the need for wheeled loaders to create stockpiles - reduces labour and maintenance costs.
- Eliminates the need for handling material multiple times - reduces labour and maintenance costs.
- Improved material quality due to reduced compaction, degradation, segregation and contamination.
- Can accept loads from multiple sources.
- Multiple hopper options available depending on required capacities and operators loading methods or application.
- Rapid set up time and manoeuvrability around site.
- Reduced fuel consumption due to reduced reliance on wheeled loaders.
- Reduced wear on wheeled loaders where a conveyor is utilised.
- Hydraulic folding head section.
- Tensioned polyurethane belt cleaner.
- Hydraulic feed in height adjustment.
- Hydraulic fold over for transport.
- Rosta scraper.
- 40 degree rollers.
- Variable speed conveyor via engine speed.
- Feedboot with removable 6mm steel wear liners.

### APPLICATIONS



#### Aggregate

Sand & gravel  
Blasted rock  
River rock



#### Recycling

C&D waste  
Foundry waste



#### Mining

Processed ores  
Processed minerals



## CT-80 TRACKED CONVEYOR



# FEEDBOOT

<b>Standard Feedboot Capacity:</b>	0.6 m <sup>3</sup> (0.8yd <sup>3</sup> )
<b>Feed in Width:</b>	1300mm (4' 3")
<b>Extended Feedboot Capacity:</b>	1.6m <sup>3</sup> (2.1yd <sup>3</sup> )
<b>Extended Feed in Width:</b>	1850mm (6' 1")
<b>Standard Min Feed Height @24°:</b>	1336mm (4' 6")
<b>Extended Min Feed Height @24°:</b>	1634mm (5' 4")





## CT-80 TRACKED CONVEYOR



# DISCHARGE CONVEYOR

<b>Width:</b>	1050mm (42")
<b>Belt Centres:</b>	22.8m (74' 10")
<b>Belt Type:</b>	Plain
<b>Belt Spec:</b>	EP400 3 4+2
<b>Drive Drum Dia:</b>	286mm (11.3")
<b>Tail Drum Dia:</b>	270mm (10.6")
<b>Max Belt Speed:</b>	136m/m
<b>Motor Size:</b>	800cc
<b>Operating Angle:</b>	5° - 25°
<b>Discharge Height @16°:</b>	8m (26' 3")
<b>Stockpile Capacity @16° &amp; 37° Angle of Repose:</b>	944m <sup>3</sup> (1235 Cu.Yd)
<b>Discharge Height @26°:</b>	10.3m (32' 9")
<b>Stockpile Capacity @26° &amp; 37° Angle of Repose:</b>	2015m <sup>3</sup> (2636 Cu.Yd)
<b>Variable Speed:</b>	Yes





## CT-80 TRACKED CONVEYOR



# TRACKS

<b>Shoe Width:</b>	400mm (1' 4")
<b>Sprocket Centre:</b>	4000mm (13' 1")
<b>Gradability:</b>	30°
<b>Speed:</b>	0.9km/h
<b>Speed High:</b>	1.6km/h





## CT-80 TRACKED CONVEYOR



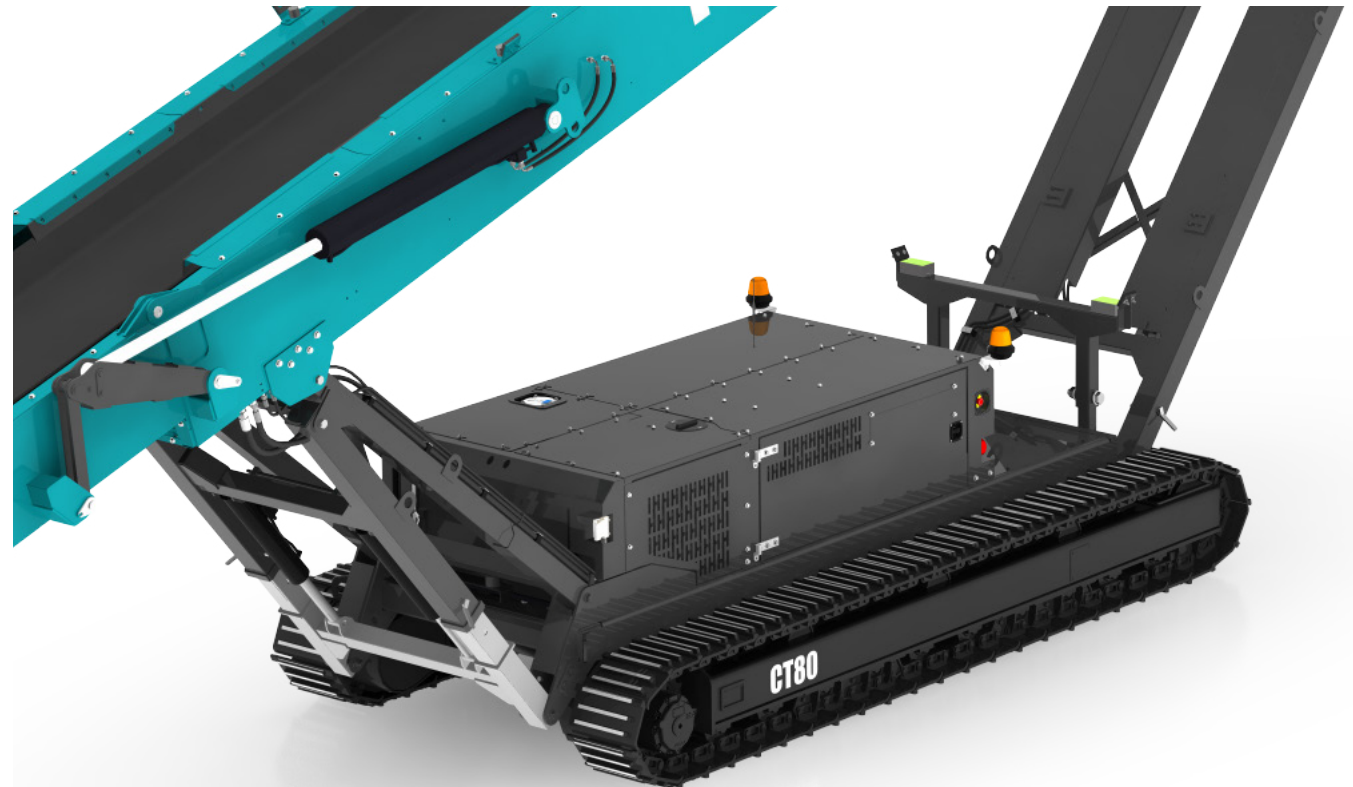
# ↓ POWER UNIT & HYDRAULICS

**Engine (Tier 3):** Deutz D2011 L041  
**Power Rating:** 36.4kW (48hp)  
**RPM:** 2200rpm  
**Crankshaft Pump:** 27/27

**Engine (Stage IV):** Deutz TC 2.9 L4  
**Power Rating:** 55kW (73hp)  
**RPM:** 2200rpm  
**Crankshaft Pump:** 27/27

**Engine (Tier 4F):** Deutz TD 2.9 L04  
**Power Rating:** 45kW (60hp)  
**RPM:** 2200rpm  
**Crankshaft Pump:** 27/27

**Diesel Tank Capacity:** 200L (53 US GAL)  
**Hydraulic Tank Capacity:** 260L (69 US GAL)





## CT-80 TRACKED CONVEYOR



## ↓ OPTIONS

- 6mm AR400 steel wear feedboot liners
- 20mm rubber wear feedboot liners
- Feedboot extension c/w steel wear liners
- Feedboot extension c/w 20mm rubber wear liners
- Feedboot extension c/w 6mm AR400 steelwear liners
- Impact bed at feedboot area
- Impact rollers at feedboot area
- Large capacity biomass hopper (including landing legs and full length impact bed )
- Blade type / primary scraper
- Conveyor fitted with chevron belt 3 ply x 4+2 covers
- Conveyor fitted with heavy duty plain belt EP500 4 ply x 8+2 covers
- Conveyor under guarding up to 2.5m @ 12° incline
- Conveyor head drum guarding
- Conveyor dust covers
- Conveyor water dust suppression (spray bar only)
- Conveyor full length skirting
- Powerunit c/w hydraulic oil, Century 100 - (Recommended for ambient temperatures between +15 to +50°C)
- Radio remote control
- Pull cord emergency stop to control panel side
- Overband magnet option complete with hydraulic kit and support frame
- Powerscreen Pulse





## CT-80 TRACKED CONVEYOR



# ↓ POWERSCREEN PULSE

## RECORD, DISPLAY AND ANALYSE DATA:

HIGH EFFICIENCY THROUGH PRECISE INFORMATION

Available online anywhere and at any time: comprehensive information on the GPS location, start and stop times, fuel consumption, tonnages, cone settings, wear ratings, operating hours, maintenance status, and much more.




**AVAILABLE ANYWHERE AND AT ANY TIME**



**DASHBOARD DISPLAY**



**FLEET OVERVIEW**



**WEEKLY REPORT DIRECT TO YOUR INBOX**



**GPS: MACHINE TRACKING**



**REPORTING UTILISATION, PERFORMANCE & PART SPECIFIC**

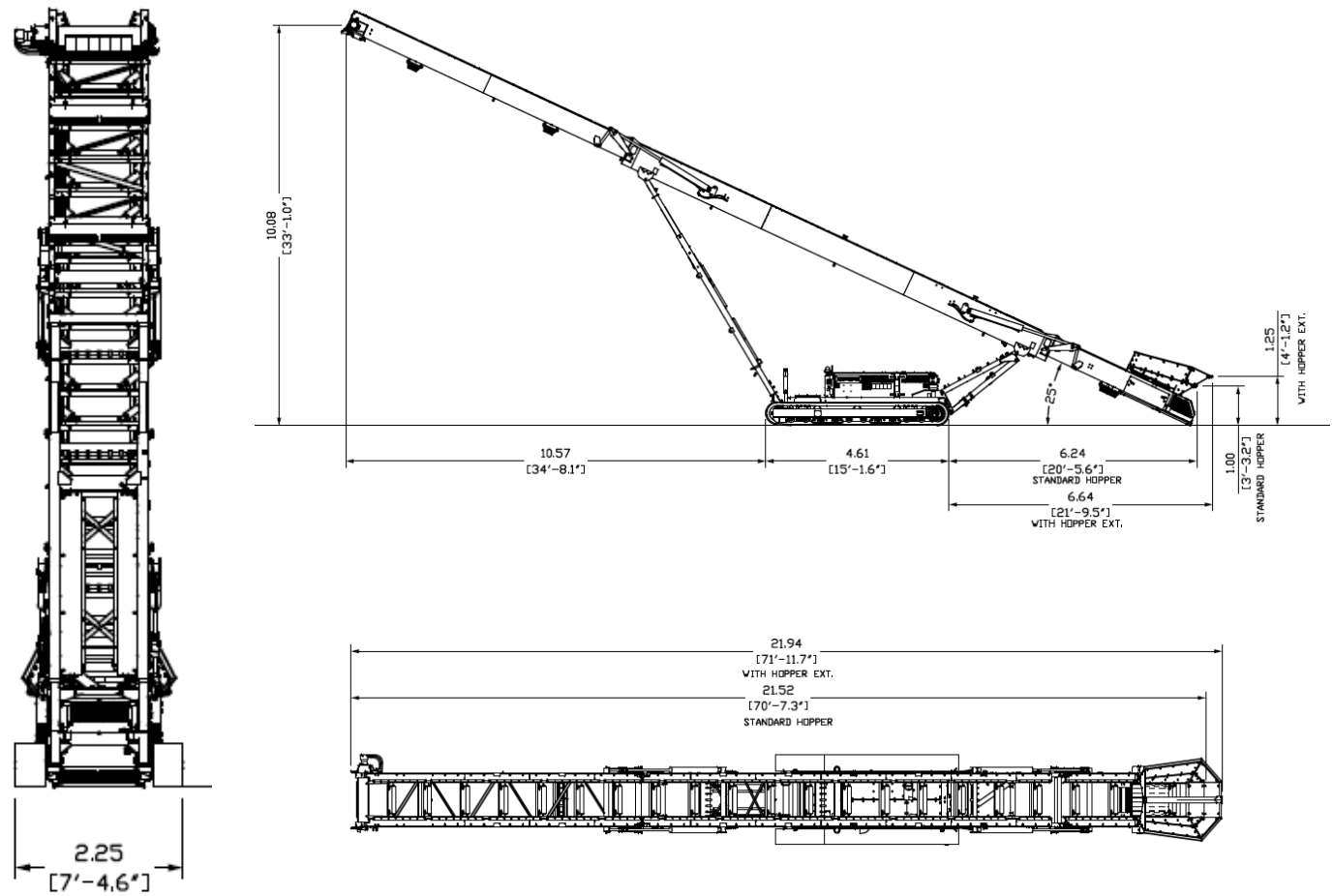


## CT-80 TRACKED CONVEYOR



# DIMENSIONS

Figure 1: Powerscreen CT-80  
Working Position - Low feed with hopper extension



[MORE DIMENSIONS OVERLEAF](#)

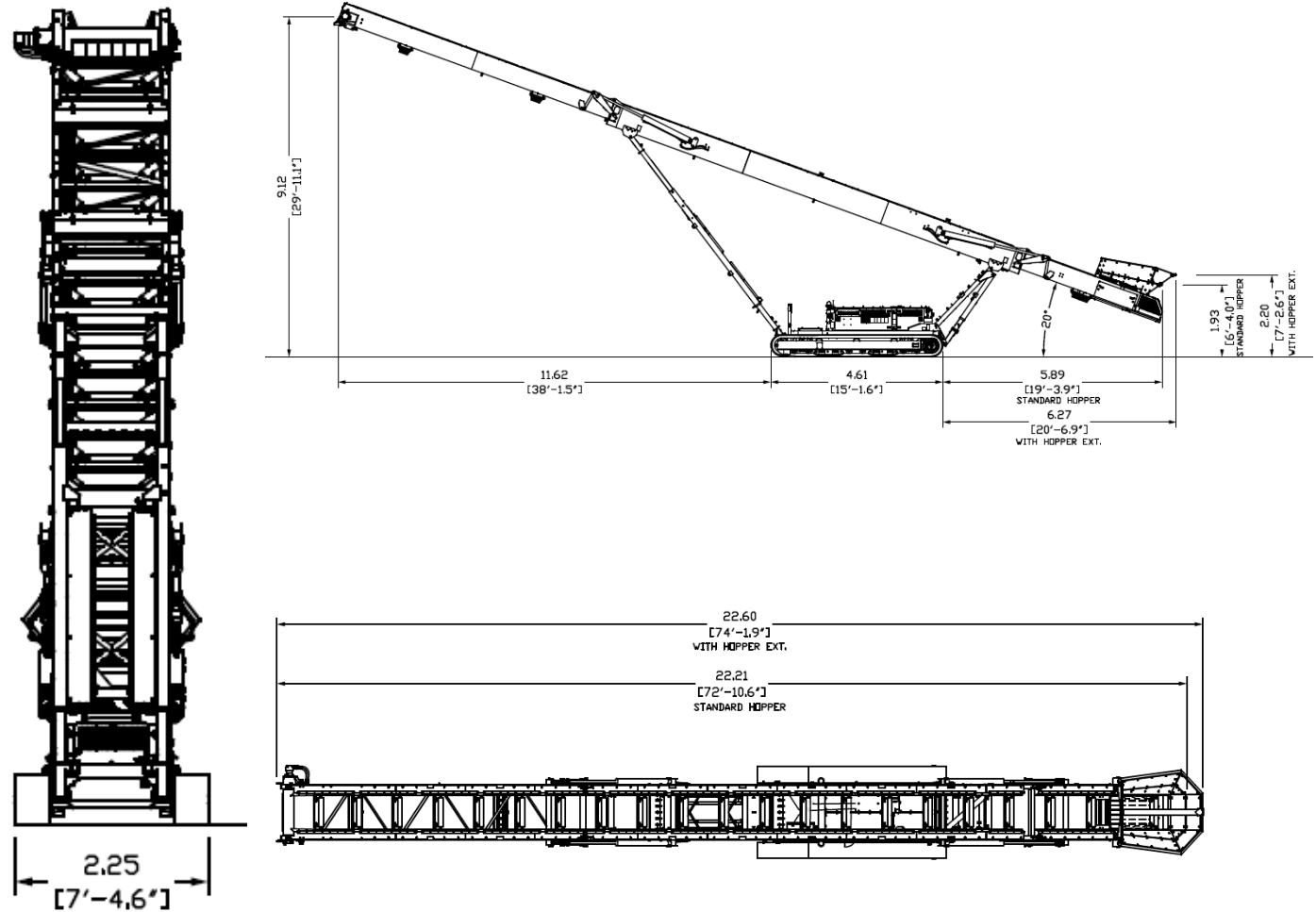


## CT-80 TRACKED CONVEYOR



# DIMENSIONS

Figure 2: Powerscreen CT-80  
Working Position - High feed with hopper extension



[MORE DIMENSIONS OVERLEAF](#)

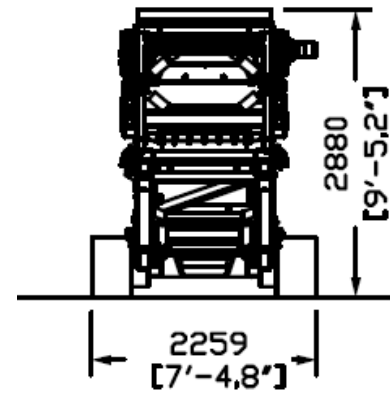
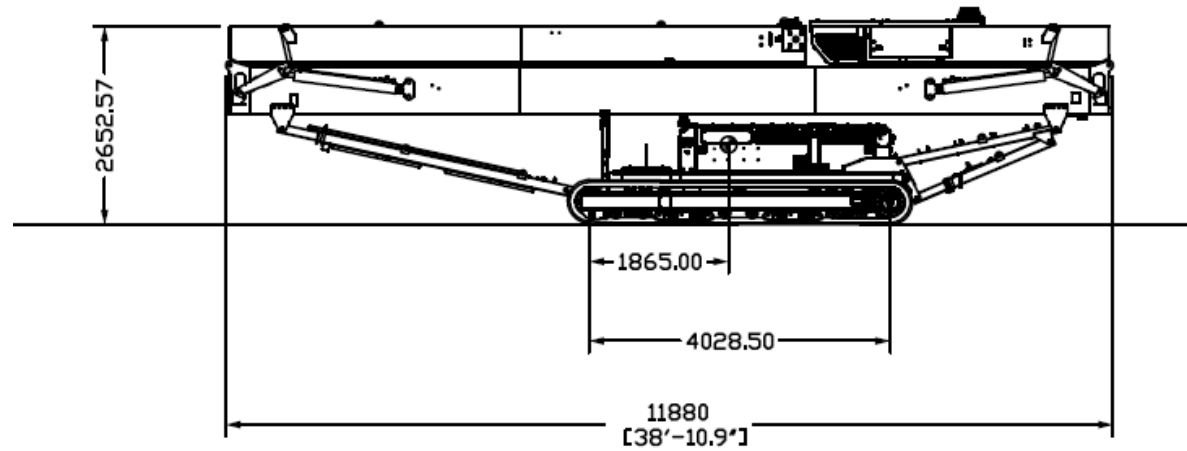


## CT-80 TRACKED CONVEYOR



# DIMENSIONS

Figure 3: Powerscreen CT-80  
Transport Position





### **Powerscreen equipment complies with CE requirements.**

Please consult Powerscreen if you have any other specific requirements in respect of guarding, noise or vibration levels, dust emissions, or any other factors relevant to health and safety measures or environmental protection needs. On receipt of specific requests, we will endeavour to ascertain the need for additional equipment and, if appropriate, quote extra to contract prices.

All reasonable steps have been taken to ensure the accuracy of this publication, however due to a policy of continual product development we reserve the right to change specifications without notice.

It is the importers' responsibility to check that all equipment supplied complies with local legislation regulatory requirements.

Plant performance figures given in this brochure are for illustration purposes only and will vary depending upon various factors, including feed material gradings and characteristics. Information relating to capacity or performance contained within this publication is not intended to be, nor will be, legally binding.

## **GET IN TOUCH**

### **Dungannon**

200 Coalisland Road, Dungannon,  
Co Tyrone, BT71 4DR, Northern Ireland  
Tel: +44 (0) 28 87 718 500  
Fax: +44 (0) 28 87 747 231

### **Louisville**

11001 Electron Drive,  
Louisville, Kentucky, 40299 USA  
Tel: +1 502 736 5200  
Fax: +1 502 736 5202

