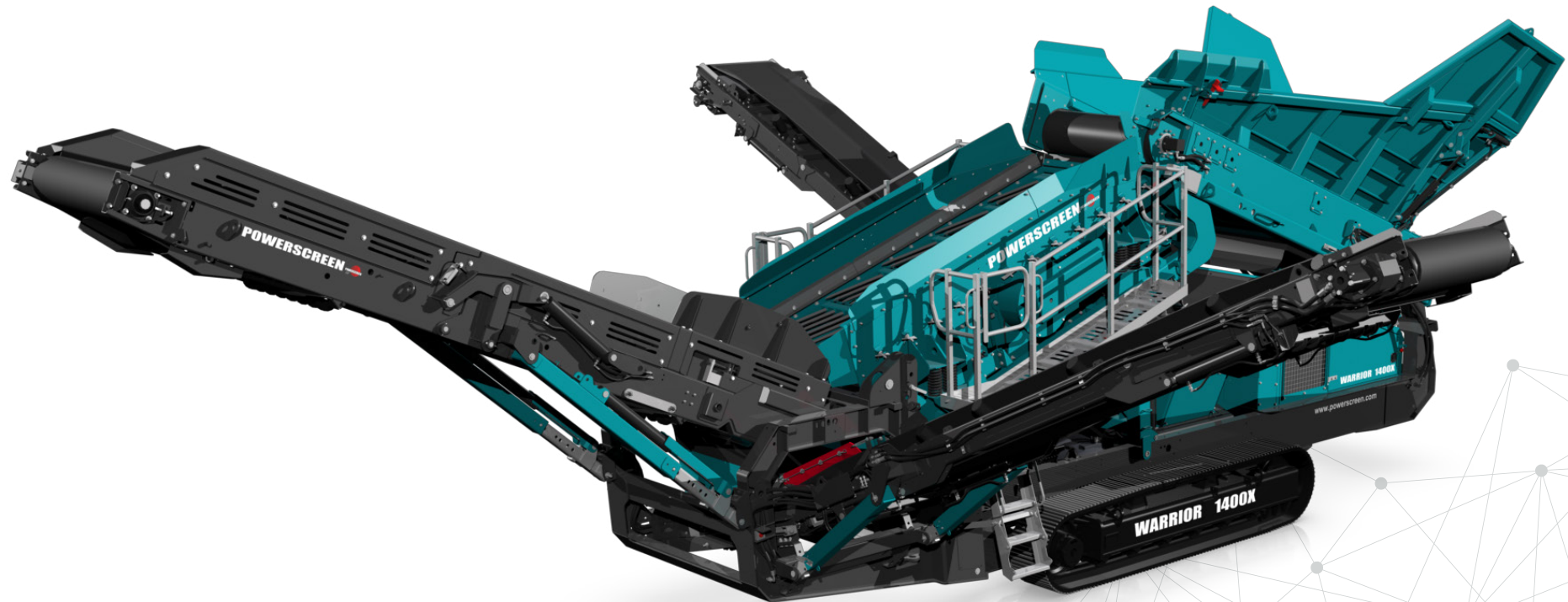


# POWERSCREEN® WARRIOR 1400X

2 DECK HEAVY DUTY INCLINE SCREEN



TECHNICAL SPECIFICATION - REV 6. 01/1/2019





## WARRIOR 1400X



# OVERVIEW

## SPECIFICATION

<b>Total weight</b>	27,600kg (60,848lbs)
<b>Transport</b>	<b>Length</b> 14.17m (46' 6")
	<b>Width</b> 2.75m (9')
	<b>Height</b> 3.2m (10' 6")
<b>Working</b>	<b>Length</b> 14.23m (46' 8")
	<b>Width</b> 12.58m (41' 3")
	<b>Height</b> 4.57m (15')
<b>Screenbox</b>	3.6m x 1.37m (11' 10" x 4' 6")
<b>Powerunit</b>	Diesel / Electric
<b>Plant Colour</b>	RAL 5021, RAL 7024 & RAL 9005

(Weight & dimensions are approximate base unit values)

## FEATURES & BENEFITS

- High capacity up to 500 tph / 551 US tph (depending on media sizes & material type)
- Maximum feed size 500mm (1' 8"). Maximum allowable feed size may vary depending on material type and screenbox media
- Suitable for scalping or stockpiling as a 3-way split or 2-way split machine
- Single button start-up & shut down
- Heavy duty inclined hopper & belt feeder featuring impact bars & impact rollers
- Fixed hopper sides & twin drive belt feeder
- Jack-up screen facility for access to screen media & collection conveyor
- Collection conveyor raise feature for conveyor & diesel tank access
- Heavy duty aggressive 2 bearing screenbox with 10mm stroke (optional 12mm stroke)
- Galvanised screen walkways and access ladders as standard
- Maximum mobility with heavy duty, low ground pressure tracks
- Quick set up time typically under 10 minutes
- High performance hydraulic system - cast iron pumps & motors complete with hydraulic cooler
- Hydraulically folding conveyors for transport
- 2 speed heavy duty tracks, with removable pendant remote control system
- Dual power option

## APPLICATIONS



### Aggregate

Sand & gravel  
Blasted rock  
River rock



### Recycling

Top soil  
C&D waste  
Composted materials  
Wood by-products  
Overburden  
Foundry waste



### Mining

Processed ores  
Processed minerals



## WARRIOR 1400X



# HOPPER

**Target area:** 4.7m (15' 5") long x 2.6m (8' 6") wide

**Hopper capacity:** 7m<sup>3</sup> (9.2 cu. yd.)

Fixed heavy duty hopper sides, manufactured from wear resistant steel with optimised reinforcement

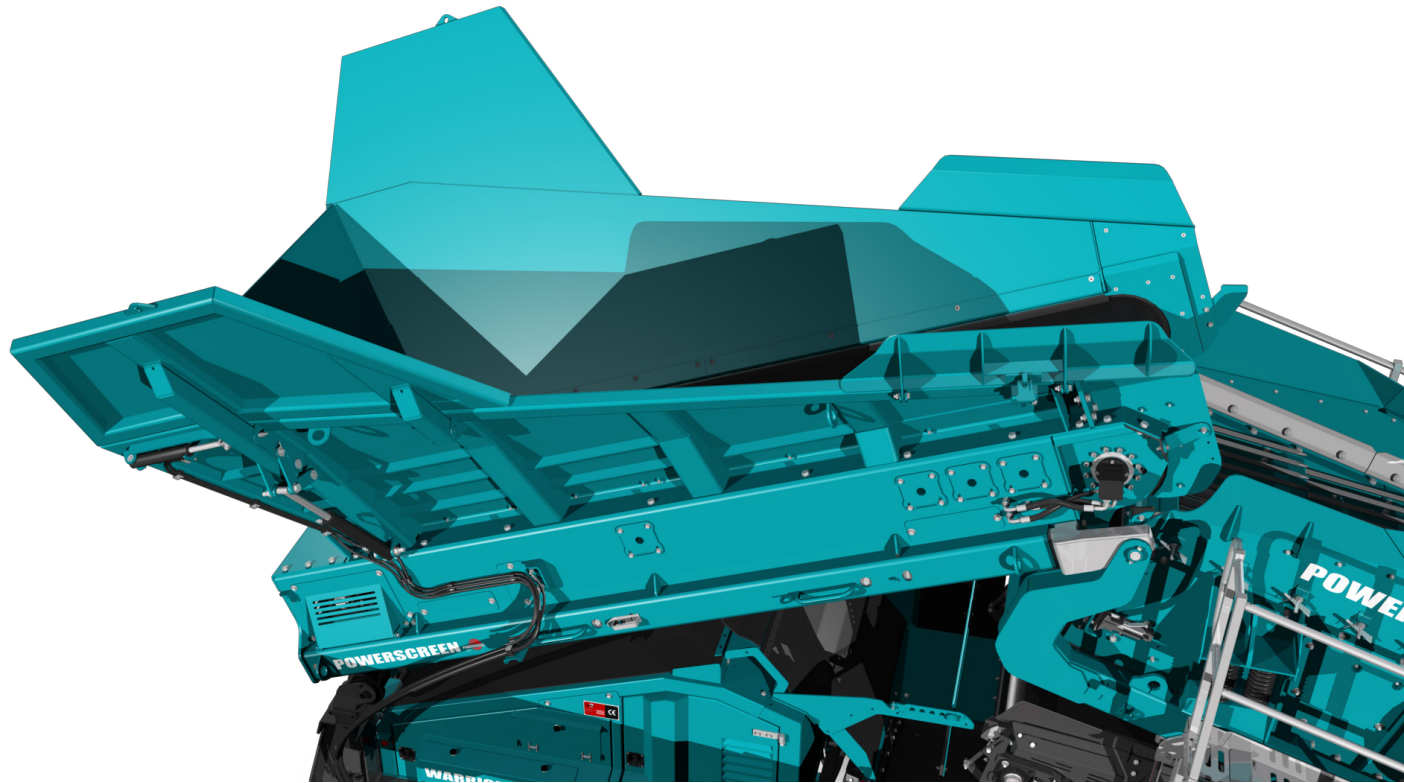
**Rear wall collapsible for direct feeding - feed in height:** 2.83m (9' 3")

Hydraulic slide & raise facilities for transport

**Feed in height:** (side) 3.52m (11' 7")

**Feed in height:** (rear) 3.38m (11' 1")

**Feed in height with extensions:** (side) 4.57m (15')





## WARRIOR 1400X



# ↓ SCREENBOX

Heavy duty 3.6m x 1.37m (11' 10" x 4' 6") 2 deck,  
2 bearing incline screen with highly aggressive  
and compact screen drive

Top deck : 3.52m x 1.37m (11' 7" x 4' 6")  
Bottom deck : 3.48m x 1.37m (11' 5" x 4' 6")

Adjustable belt driven screen drive, increased  
flexibility over direct drive alternatives, adjustable stroke: 10 - 12mm ( 3/8"  
- 1/2")

Side tensioned or modular top deck  
End tensioned or modular bottom deck

Jack-up screen facility for access to screen media 1m (3' 3") movement

Hydraulic screen angle adjustment 13° - 19°

Galvanised walkways on both sides of screen  
Modular screen suitable for bofor, finger, punch plate and mesh screen media  
& combined finger / punch plate.





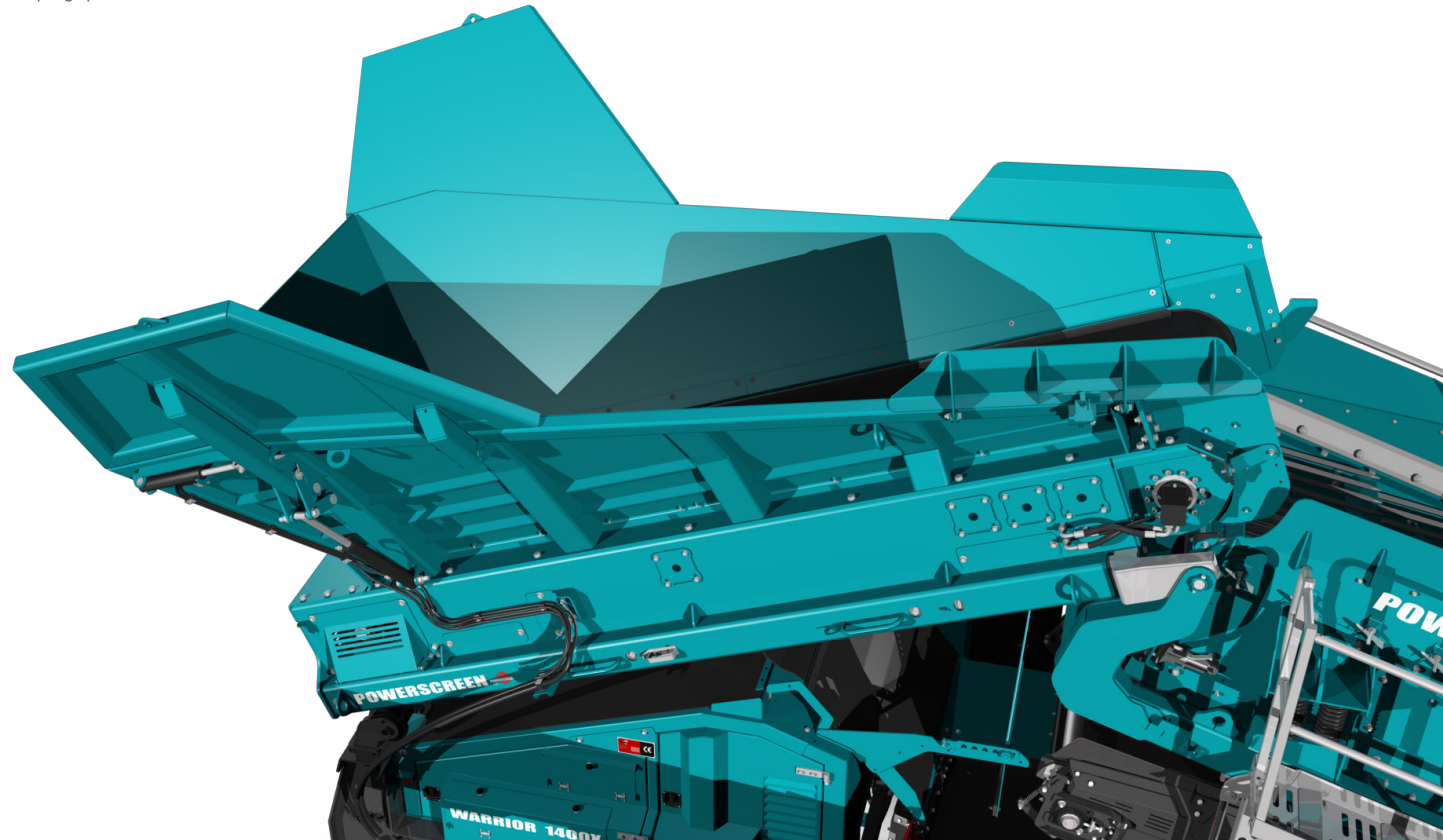
## WARRIOR 1400X



# ↓ CONVEYORS

### HEAVY DUTY BELT FEEDER

- Heavy duty impact bars & impact rollers supporting belt
- 1300mm (4' 3") 4 ply heavy duty grade belt
- 4.1m (13' 5") drum centres
- Heavy duty drive
- Variable speed control
- Stay clean system under feeder
- Supergrip drive drum as standard





## WARRIOR 1400X



# ↓ CONVEYORS

### UNDERSCREEN CONVEYOR

1200mm (3' 11") wide 3 ply plain belt

3.46m (11' 4") drum centres

Accessible via jack-up screen facility

Underside accessible with collection conveyor raise facility

### OVERSIZE - TAIL CONVEYOR

1200mm (3' 11") wide troughed 3 ply chevron belt

5.6m (18' 4") drum centres

Variable speed control

Hydraulic raise & lower

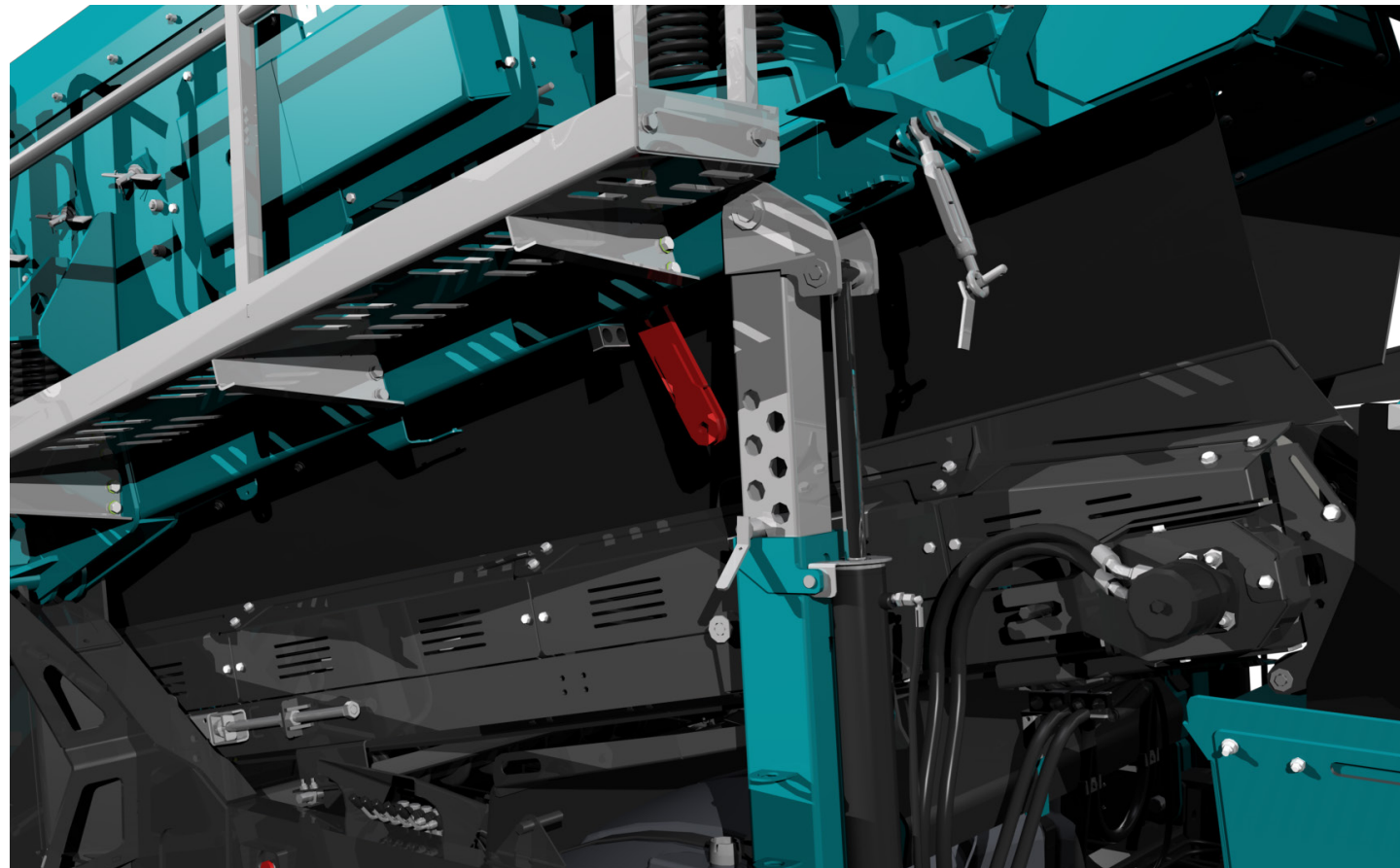
Impact bed along entire length

Hydraulically folding for transport

Angle adjustable 0° - 24°

3.9 m (12' 10") stockpile height

88m<sup>3</sup> (115 cu. yd.) stockpile volume





## WARRIOR 1400X



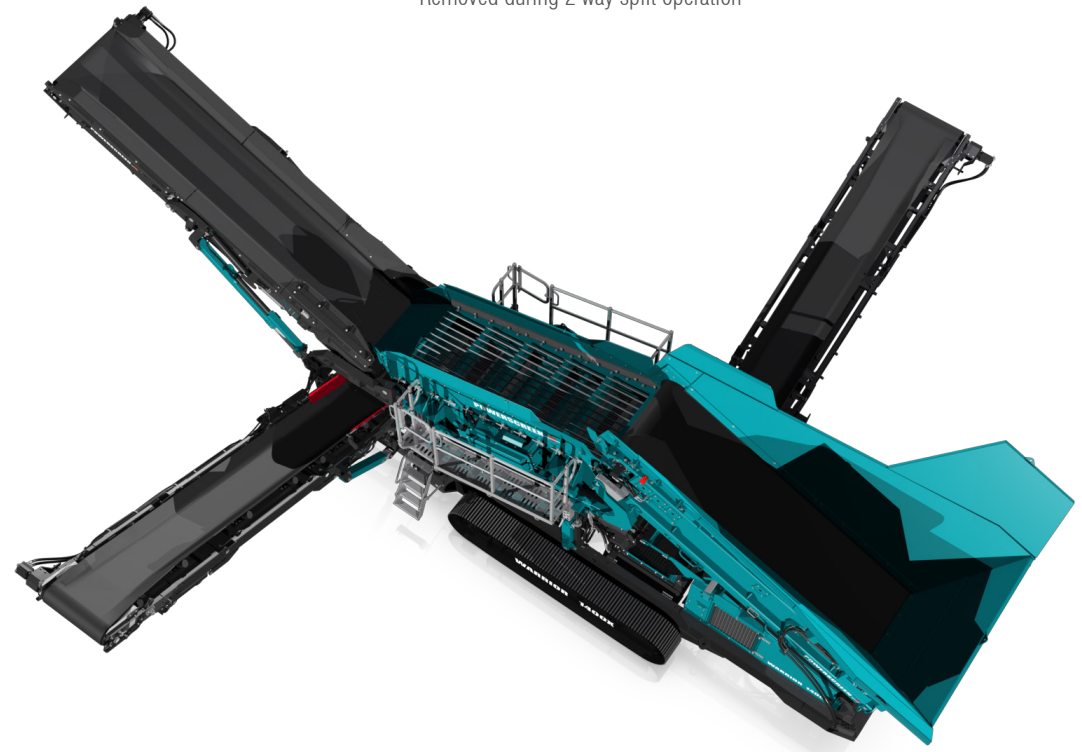
# ↓ CONVEYORS

### FINESIZE - SIDE CONVEYOR

900mm (2' 11") wide 3 ply plain belt  
7.2m (23' 7") drum centres  
Impact bars under feedboot area  
Deflector plate for optimum material travel  
Hydraulically folding, angle adjustable  
3.72m (12' 2") stockpile height  
76m<sup>3</sup> (100 cu. yd.) stockpile volume  
4.2m (13' 9") stockpile height (extended)  
110m<sup>3</sup> (144 cu. yd.) stockpile volume (extended)

### MIDSIZE - SIDE CONVEYOR

900mm (2' 11") wide 3 ply plain belt  
7.2m (23' 7") drum centres  
Impact bars under feedboot area  
Variable speed control  
Hydraulically folding, angle adjustable  
3.6m (11' 10") stockpile height  
69m<sup>3</sup> (91 cu. yd.) stockpile volume  
4.1m (13' 5") stockpile height (extended)  
103m<sup>3</sup> (134 cu. yd.) stockpile volume (extended)  
Removed during 2 way split operation





## WARRIOR 1400X



# POWER UNIT & HYDRAULICS

### Engine Tier 3 Equivalent:

Caterpillar C4.4 - 4 Cylinder diesel

### Performance:

90kW (121hp) @ 1800rpm

### Engine Tier 4F / Stage IV:

Caterpillar C4.4- 4 cylinder diesel

### Performance:

82kW (110hp) @ 1800rpm

### Engine Constant Speed Stage IIIA:

Caterpillar C4.4- 4 cylinder diesel

### Performance:

98kW (131hp) @ 1800rpm

### Tank Capacities:

Fuel: 336 L (89 US Gal) Protected diesel tank

Hydraulic oil: 450 L (119 US Gal)

### Pumps:

Flywheel pump: Cast iron triple 63/41/41cc/rev

PTO 'A' pump: Cast iron tandem 29/29 cc/rev

### Motors:

Belt feeder motors: Cast iron 125cc/rev

Tail conveyor: Cast iron 800cc/rev

Mid fines side conveyor: Cast iron 500cc/rev

Underscreen conveyor motor: Cast iron 500cc/rev

Fines conveyor motor: Cast iron 500cc/rev

Screen motor: Cast iron 56cc/rev

Optional apron feeder motor: Cast iron 400cc/rev



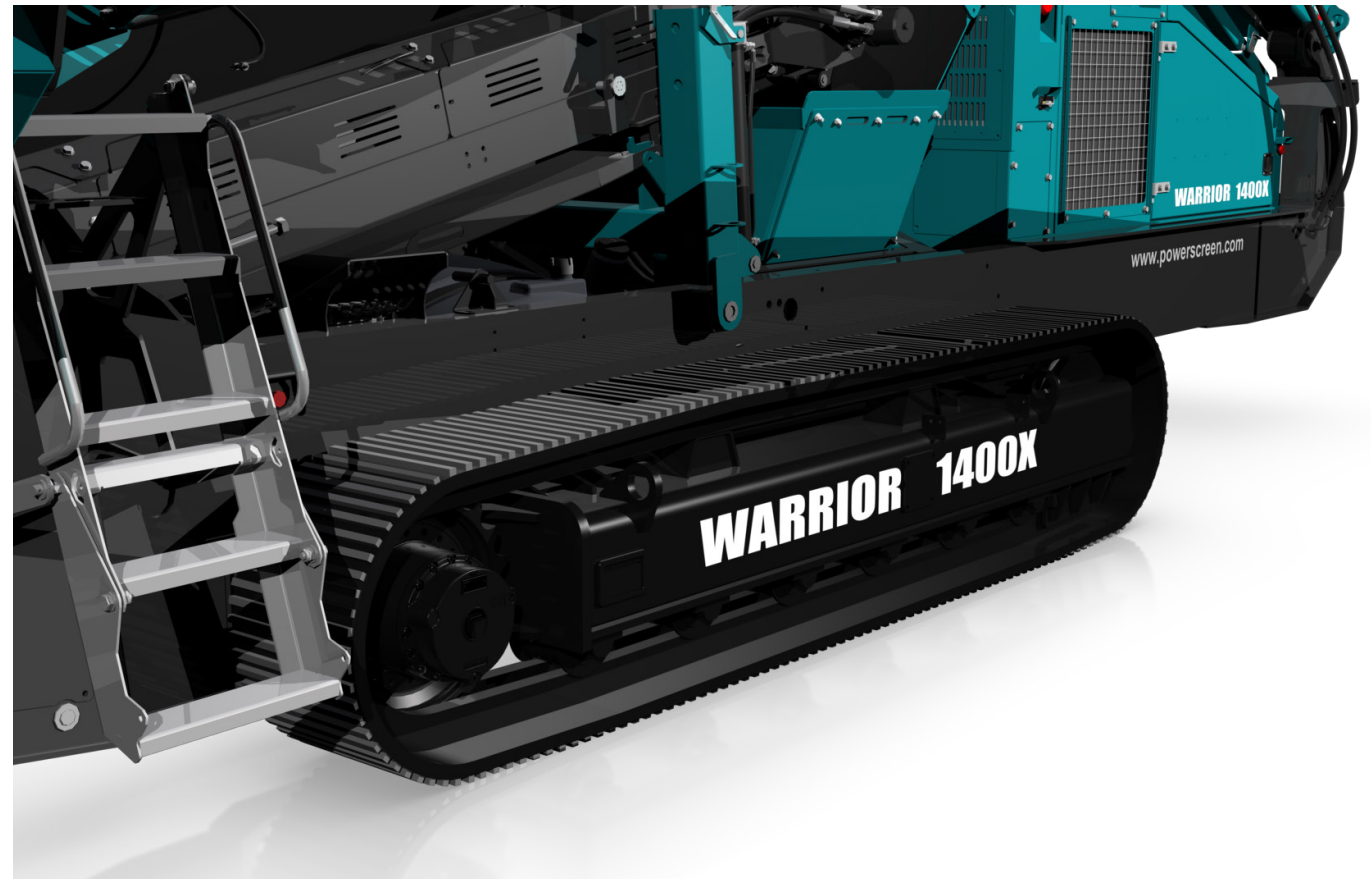


## WARRIOR 1400X



## TRACKS

Track width:	400mm (1' 4")
Sprocket centres:	2380mm (7' 10")
Approximate speed:	1.7kph (1.06mph) (slow)
Approximate speed:	2kph (1.24mph) (fast)
Total flow per track:	70 Lpm





## WARRIOR 1400X



## OPTIONS

### INCLINE APRON FEEDER

1000mm (3' 3") (Inside hopper width) wide wear resistant feed apron

Fitted with single gearbox drive

Variable speed control

4m (13' 1") apron centres

Increase in machine weight: +2,160kg (4,762lbs)

### 300MM CHASSIS RISER

Machine chassis raised 300mm (1') to provide improved ground clearance and additional

conveyor stockpiling capacity

Transport height: 3.5m (11' 6")

Increase in machine weight: + 470kg (1,036lbs)

### 2 WAY SPLIT CONFIGURATION

Mid sized side conveyor removed

Machine built as 2 way split from factory

Top deck & bottom deck oversize material fed on to tail conveyor.

### DUAL POWER

2 of electric motors: 37kW & 30kW

Diesel engine

Integrated control system managing diesel-hydraulic or electrical-hydraulic functions

Note: This option may alter transport dimensions and feed access. Please contact engineering for detailed drawings and dimensions.



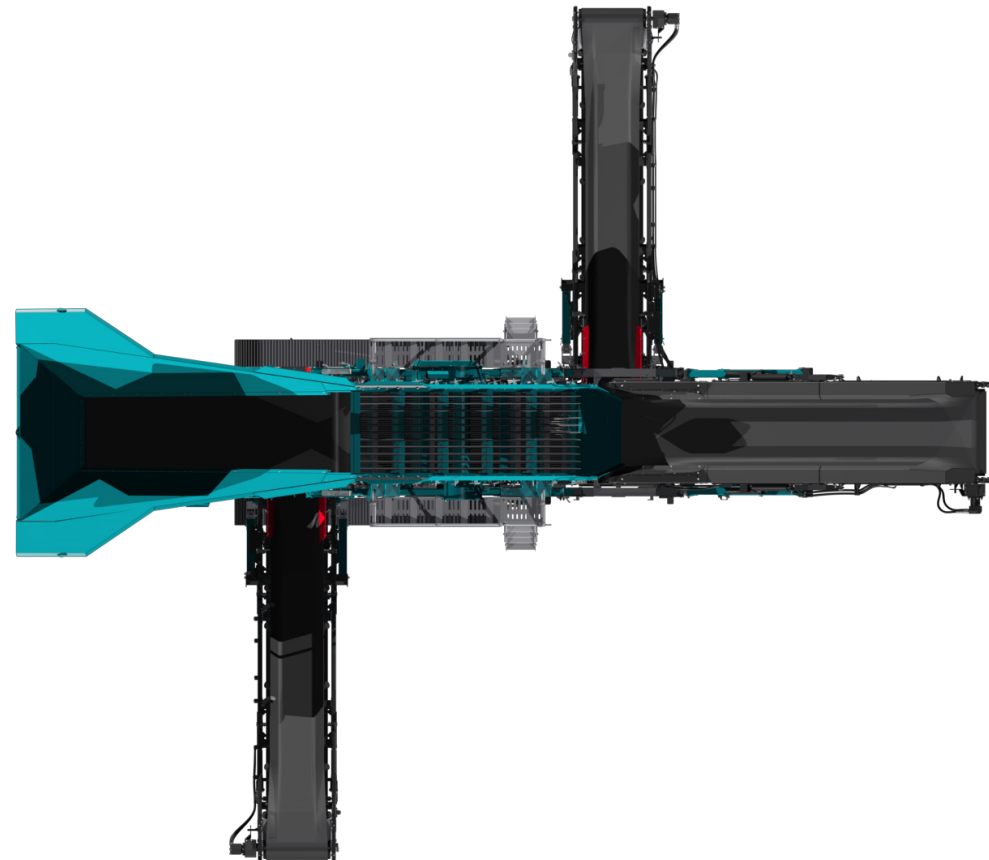
## WARRIOR 1400X



# ↓ OPTIONS

### OTHER OPTIONS

- Custom colour machine
- Side conveyor telescopic hydraulic extensions
- Chevron side conveyor belts
- Hopper extensions (hydraulic fold & lock)
- Auto lubrication system
- Radio controlled tracking
- Wear resistant hopper
- Quick release wedge screen tensioning (side tensioned only)
- Reversed side conveyors
- Screen blanket
- Powerscreen Pulse





## WARRIOR 1400X



# POWERSCREEN PULSE

## RECORD, DISPLAY AND ANALYSE DATA: HIGH EFFICIENCY THROUGH PRECISE INFORMATION

Available online anywhere and at any time: comprehensive information on the GPS location, start and stop times, fuel consumption, tonnages, cone settings, wear ratings, operating hours, maintenance status, and much more.



  
**AVAILABLE  
ANYWHERE  
AND AT ANY TIME**

  
**DASHBOARD  
DISPLAY**

  
**FLEET  
OVERVIEW**

  
**WEEKLY REPORT  
DIRECT TO YOUR  
INBOX**

  
**GPS: MACHINE  
TRACKING**

  
**REPORTING  
UTILISATION, PERFORMANCE  
& PART SPECIFIC**

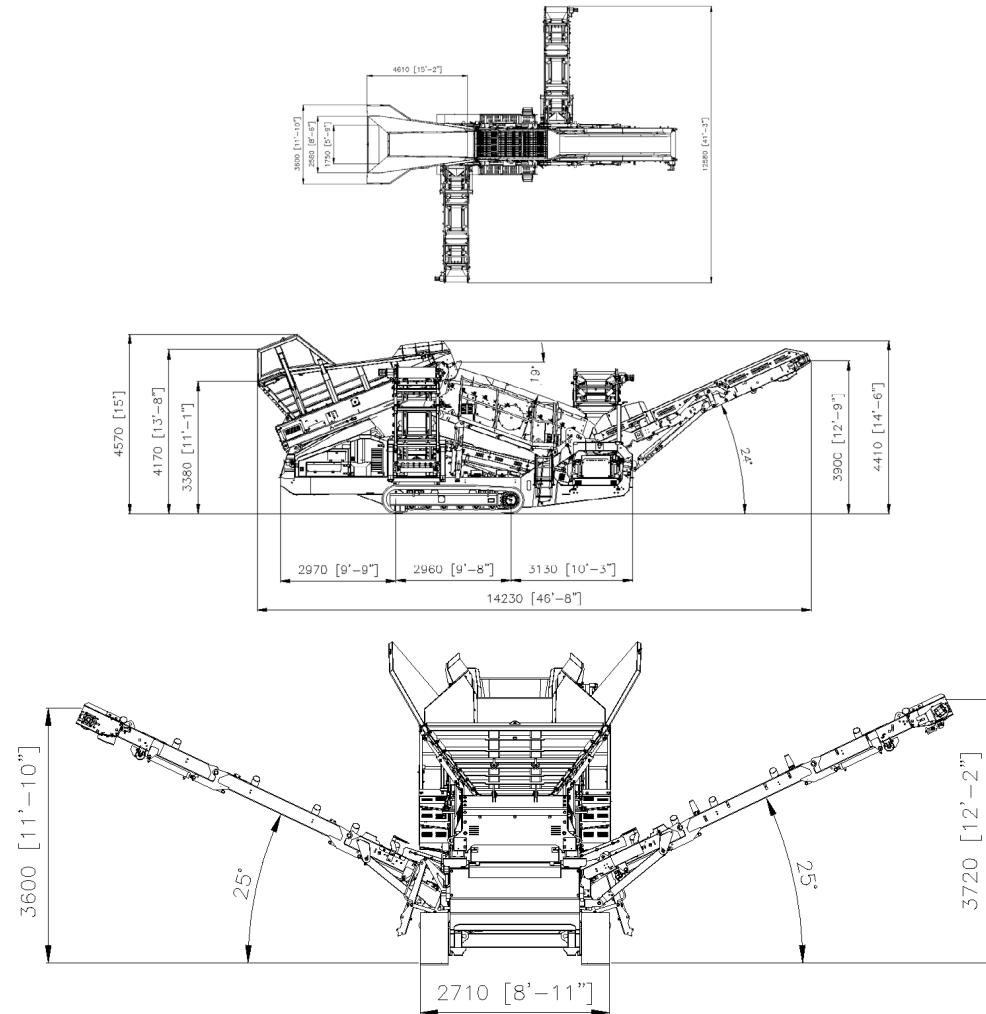


# WARRIOR 1400X



## DIMENSIONS

Figure 1: Warrior 1400X  
Working Position



MORE DIMENSIONS OVERLEAF

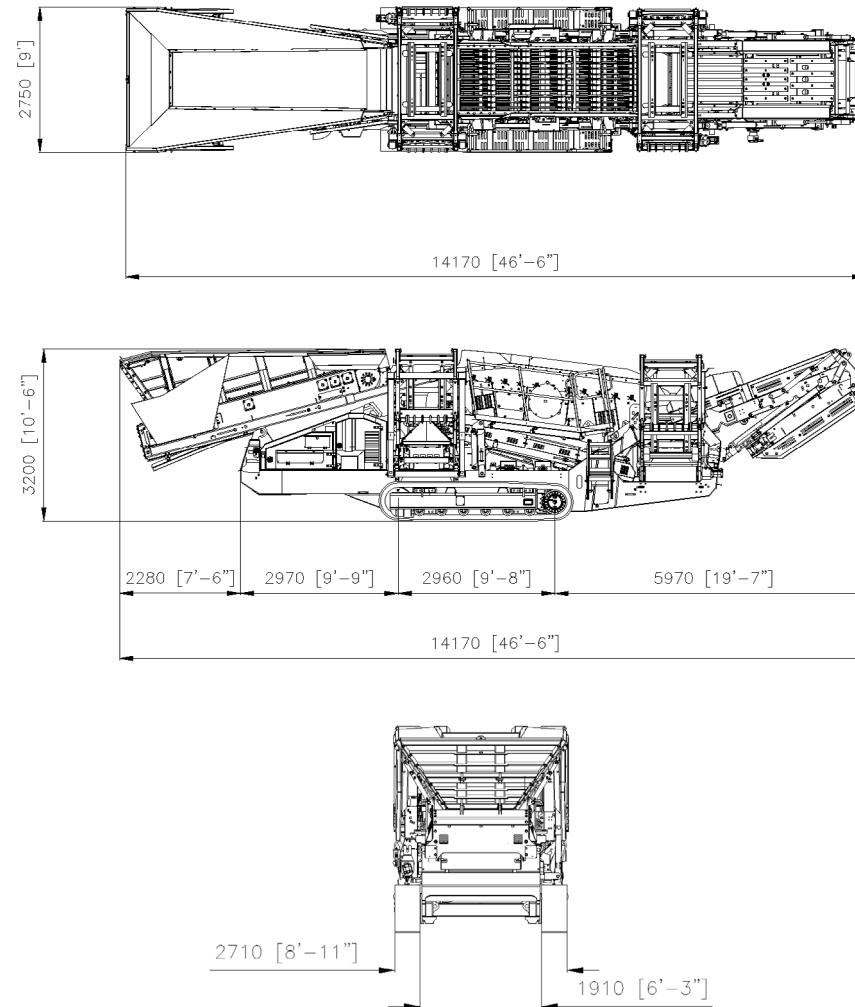


## WARRIOR 1400X



# DIMENSIONS

Figure 2: Warrior 1400X  
Transport Position



MORE DIMENSIONS OVERLEAF

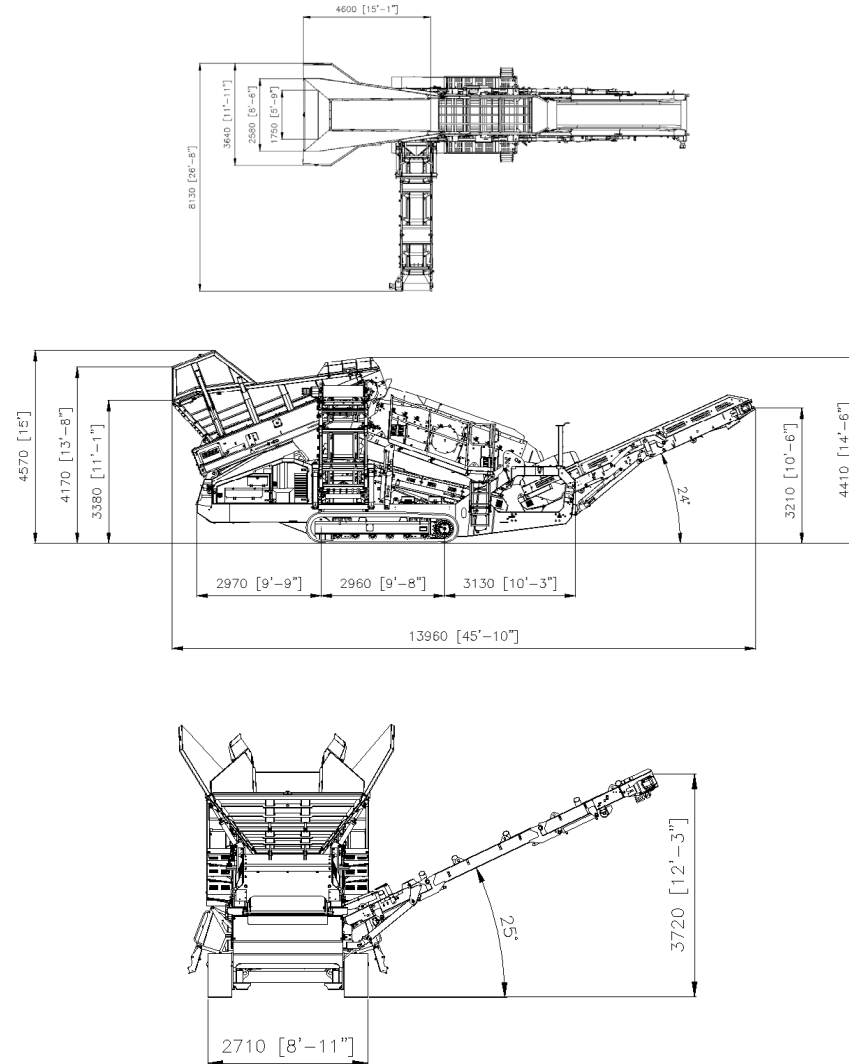


## WARRIOR 1400X



# ↓ DIMENSIONS

Figure 3: Warrior 1400X  
2 Way Split  
Working Position



MORE DIMENSIONS OVERLEAF

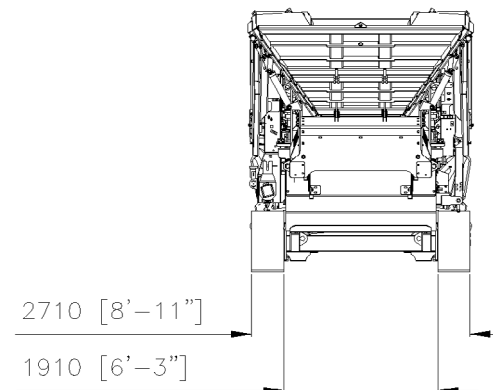
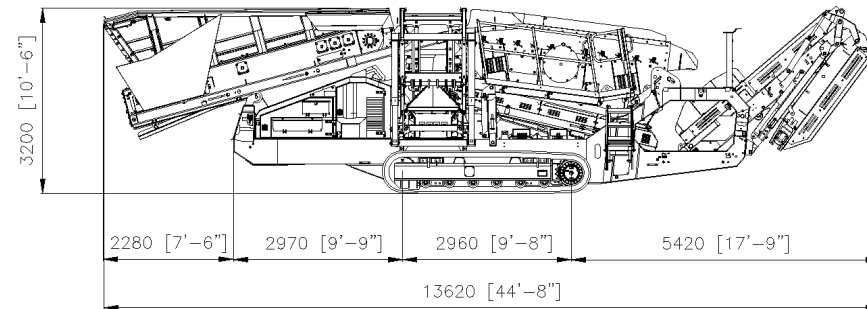
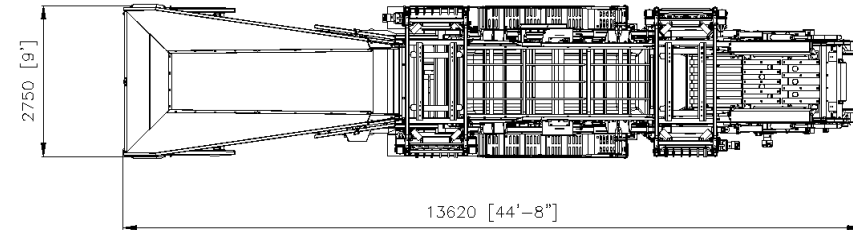


## WARRIOR 1400X



# DIMENSIONS

Figure 4: Warrior 1400X  
2 Way Split  
Transport Position



MORE DIMENSIONS OVERLEAF

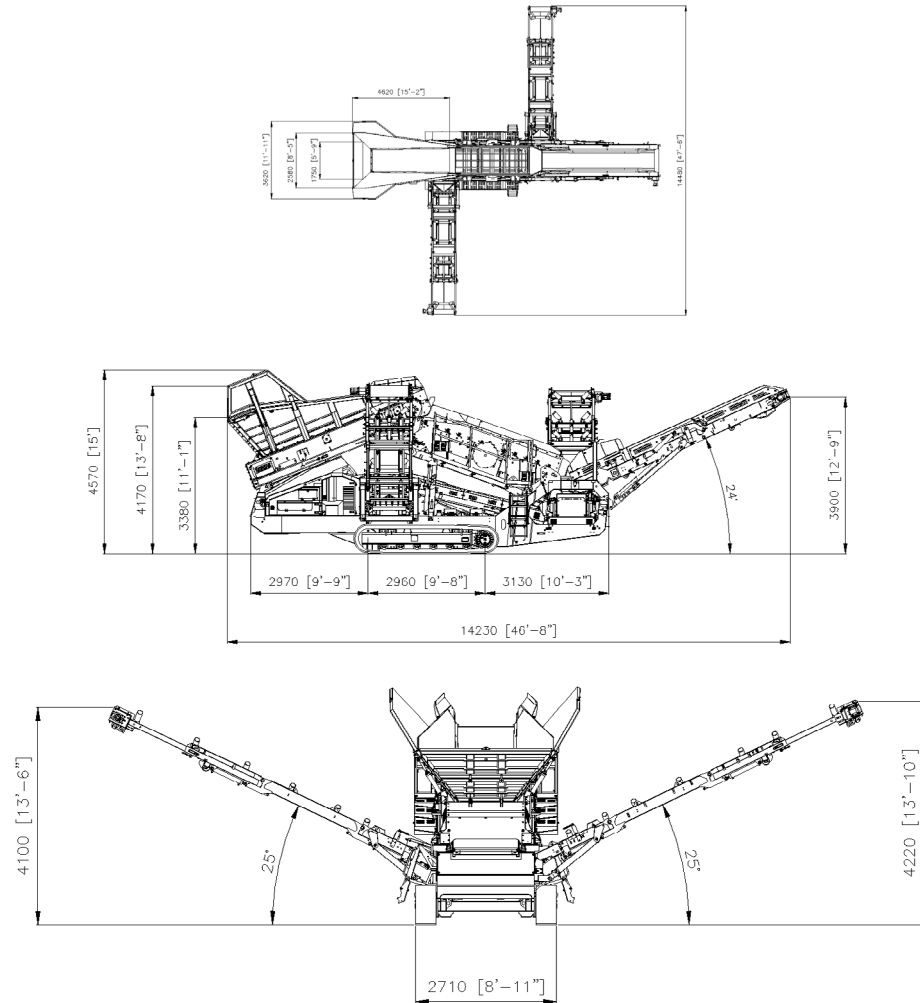


# WARRIOR 1400X



## ↓ DIMENSIONS

Figure 5: Warrior 1400X  
Telescopic Side Conveyors  
Working Position



MORE DIMENSIONS OVERLEAF

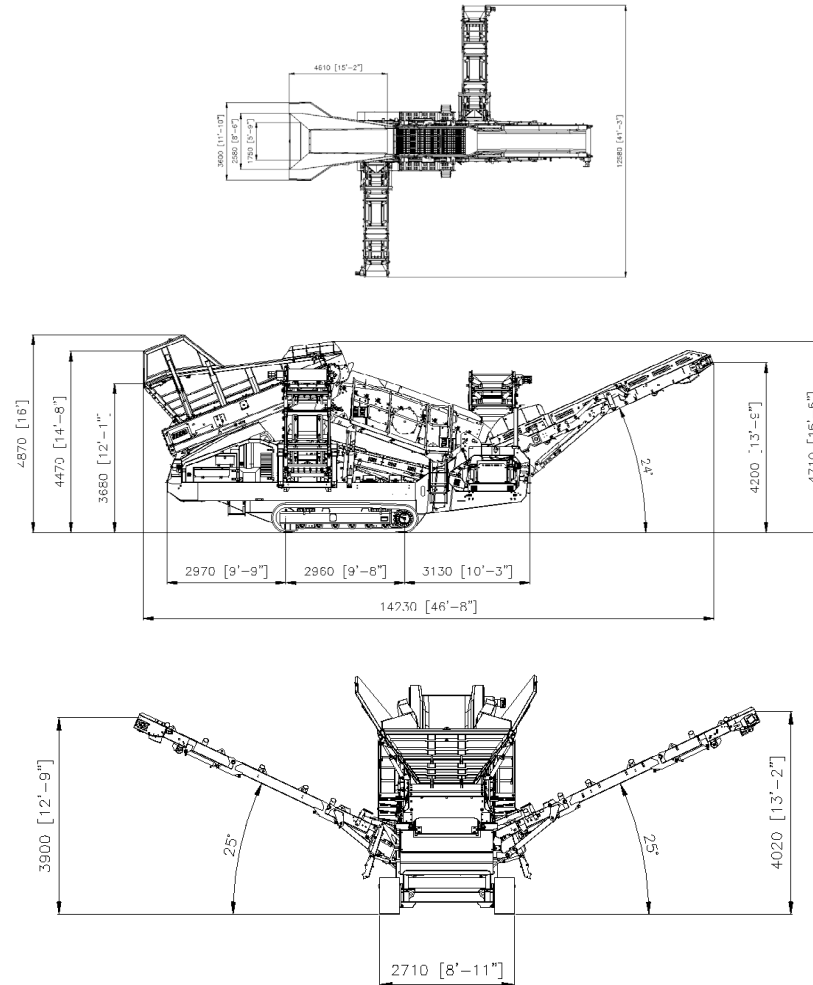


## WARRIOR 1400X



# ↓ DIMENSIONS

Figure 6: Warrior 1400X  
300mm Chassis Riser  
Working Position



MORE DIMENSIONS OVERLEAF

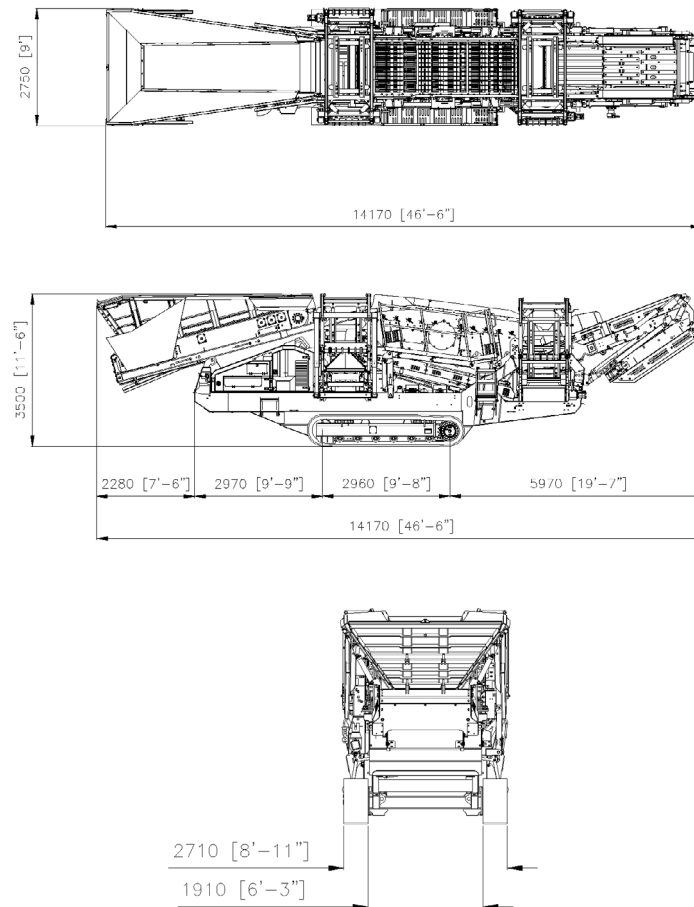


## WARRIOR 1400X



# DIMENSIONS

Figure 7: Warrior 1400X  
300mm Chassis Riser  
Transport Position





### **Powerscreen equipment complies with CE requirements.**

Please consult Powerscreen if you have any other specific requirements in respect of guarding, noise or vibration levels, dust emissions, or any other factors relevant to health and safety measures or environmental protection needs. On receipt of specific requests, we will endeavour to ascertain the need for additional equipment and, if appropriate, quote extra to contract prices.

All reasonable steps have been taken to ensure the accuracy of this publication, however due to a policy of continual product development we reserve the right to change specifications without notice.

It is the importers' responsibility to check that all equipment supplied complies with local legislation regulatory requirements.

Plant performance figures given in this brochure are for illustration purposes only and will vary depending upon various factors, including feed material gradings and characteristics. Information relating to capacity or performance contained within this publication is not intended to be, nor will be, legally binding.

## **GET IN TOUCH**

### **Dungannon**

200 Coalisland Road, Dungannon,  
Co Tyrone, BT71 4DR, Northern Ireland  
Tel: +44 (0) 28 87 718 500  
Fax: +44 (0) 28 87 747 231

### **Louisville**

11001 Electron Drive,  
Louisville, Kentucky, 40299 USA  
Tel: +1 502 736 5200  
Fax: +1 502 736 5202

